

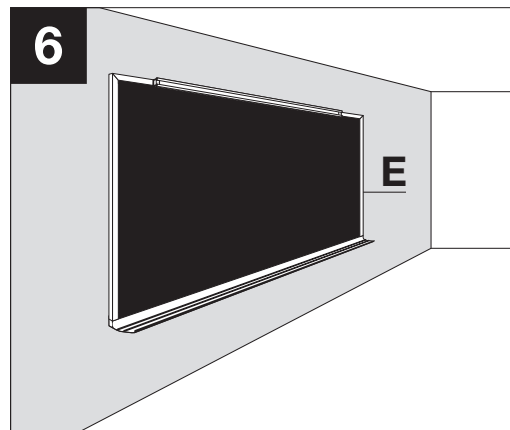
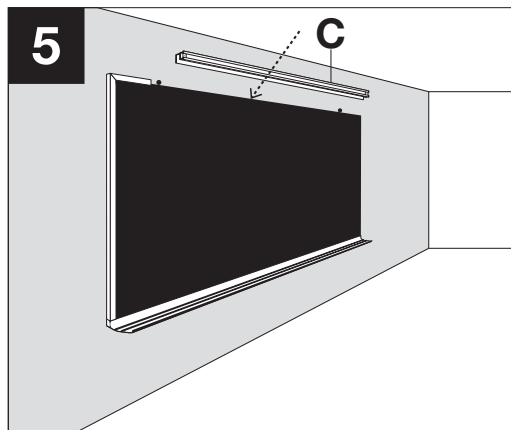
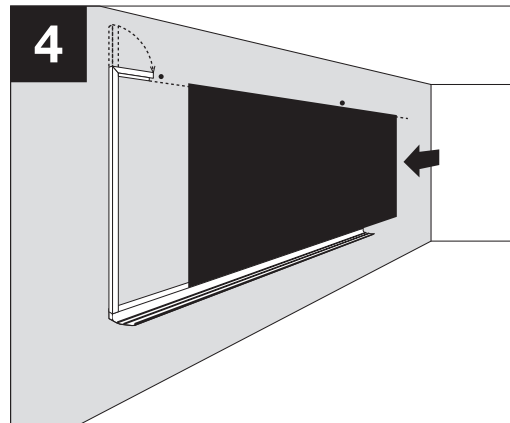
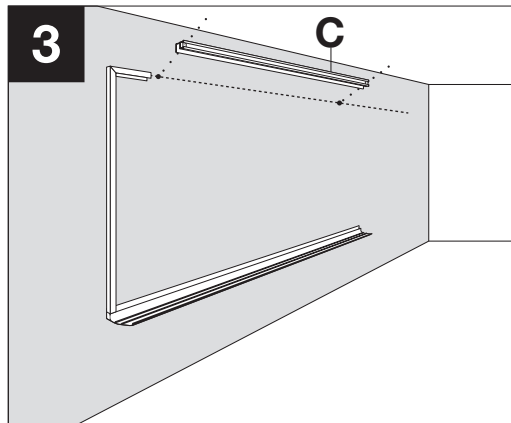
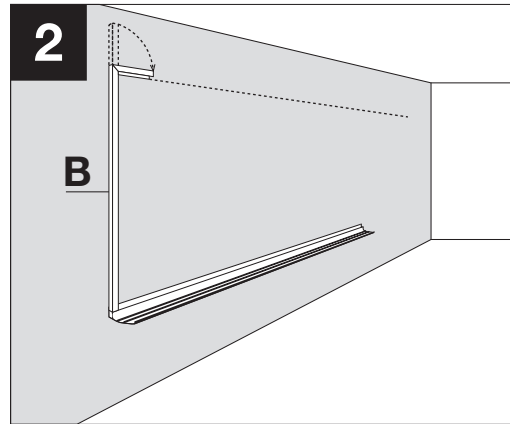
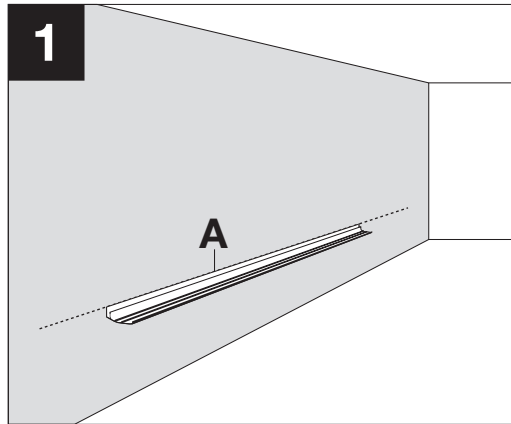


CANADIAN BLACKBOARD
COMPANY LTD

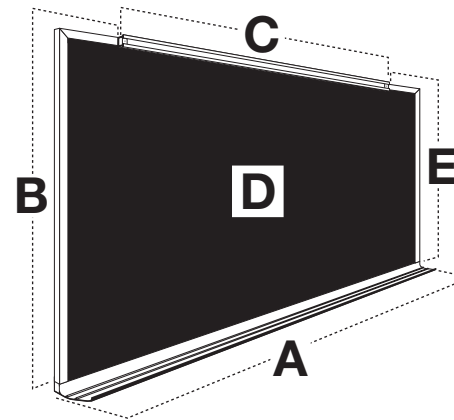
30, Montée des Bouleaux
St-Constant (Québec) J5A 1B6
Phone: (450) 632-1660
Fax: (450) 632-5449

www.cctn.com

Installation on construction sites



List of furnished materials, in order of installation.



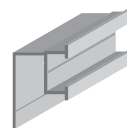
A Chalk rail



B Side moulding



C Top moulding



D Chalkboard

E Side moulding



NOTE: The illustrations may vary depending on the model, 2000, 3000 or 5000.

Installation procedure

Illustration/fig 1

- First determine the site location of the board according to its size.
- Using the perforated chalk rail (moulding A) and making sure it is perfectly levelled, mark the 2 extremities and draw a line between the 2 points.
- Using the perforations in the chalk rail (moulding A) mark the wall where screws will go.
- Drill holes using a 1/4" concrete bit. Insert plastic plugs and hammer in.
- Fasten chalk rail (moulding A)

Illustration/fig 2

- As in Fig. 1, step 2, mark the wall using perforations in moulding B. Using plumb line to make sure it is perfectly vertical. Do not forget to fold up the shortest section of the moulding at right angle.
- As in Fig. 1 step 4, drill holes, insert plastic plugs and fasten moulding B
- Draw a perfectly horizontal line corresponding to the bottom end of moulding B

Illustration/fig 3

- Temporarily install moulding C, marking the wall at perforations. Remove moulding.
- Drill holes and insert plastic plugs.

Illustration/fig 4

- Insert chalkboard in chalk rail A and moulding B, already in place.

Illustration/fig 5

- Install and fasten moulding C

Illustration/fig 6

- Place 3 spots of cement inside moulding E. Again, fold up shortest section at right angle to complete frame.
- Insert cork strip in moulding C and place stoppers at each end.