

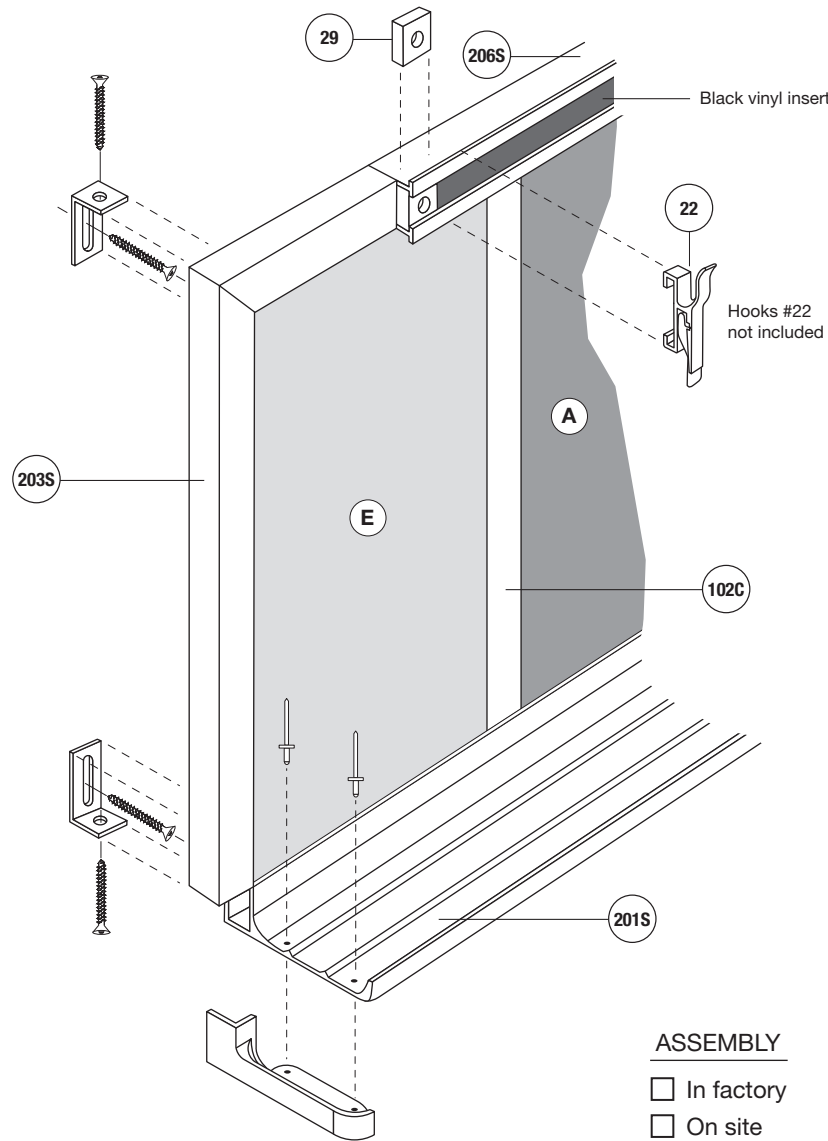


**CANADIAN BLACKBOARD
COMPANY LTD**

30, Montée des Bouleaux
St-Constant (Québec) J5A 1B6
Phone: (450) 632-1660
Fax: (450) 632-5449

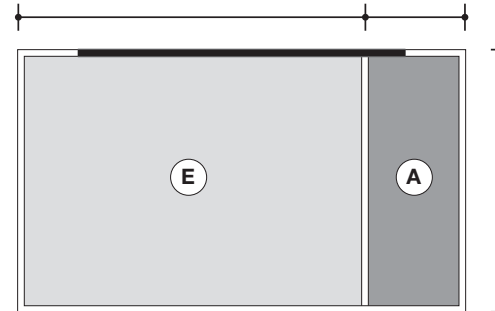
www.cctn.com

SERIES: 2000 Model D



Dimensions

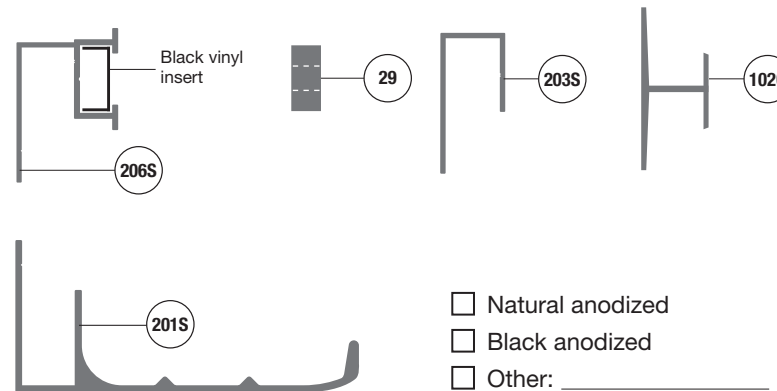
Type: _____



Total Height: _____ Total Width: _____
 (A) Width: _____ (E) Width: _____

Location:

Moulding



Mechanical joint

Surface display of more than 12 feet only



2000

QUANTITY: _____

Writing surface (E)

- Lauzonite white green black grey
- Laminite white grey black
- Porcelain white green black

Display surface (A)

- Natural cork 1/4 1/8 1/32
- Colored cork: _____
- Fabric: _____
- Velcro: _____
- Other: _____

Hooks

- Type #22 Quantity: _____

Notes:

Contractor:

Architect:

Project:

Address: