



**CANADIAN BLACKBOARD
COMPANY LTD**

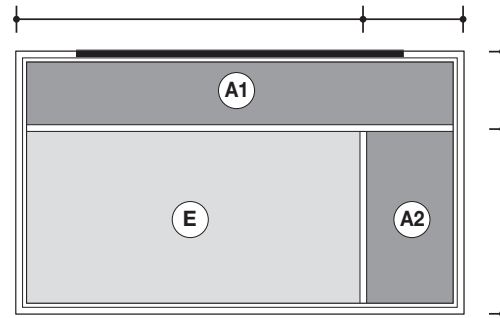
30, Montée des Bouleaux
St-Constant (Québec) J5A 1B6
Phone: (450) 632-1660
Fax: (450) 632-5449

www.cctn.com

SERIES: 5000 Model G

Dimensions

Type: _____



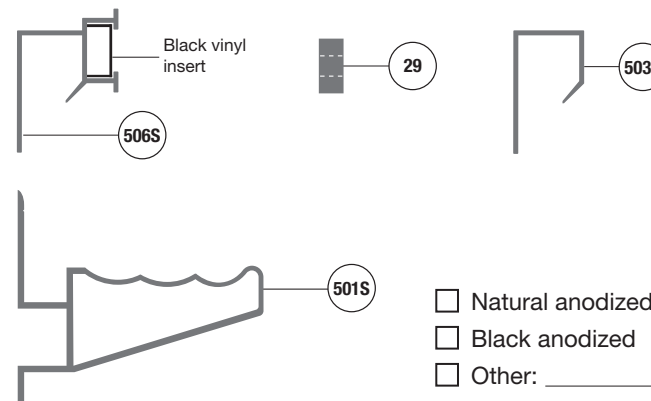
Total Height: _____ Dimensions **A1** _____

Total Width: _____ Dimensions **A2** _____

Dimensions **E** _____

Location:

Moulding



- Natural anodized
- Black anodized
- Other: _____

Mechanical joint

Surface display of more than 12 feet only



5000

QUANTITY: _____

Writing surface **E**

- Lauzonite white green black grey
- Laminite white grey black
- Porcelain white green black

Display surfaces **A1** and **A2**

- Natural cork 1/4 1/8 1/32
- Colored cork: _____
- Fabric: _____
- Velcro: _____
- Other: _____

Hooks

- Type #22 Quantity: _____

Notes:

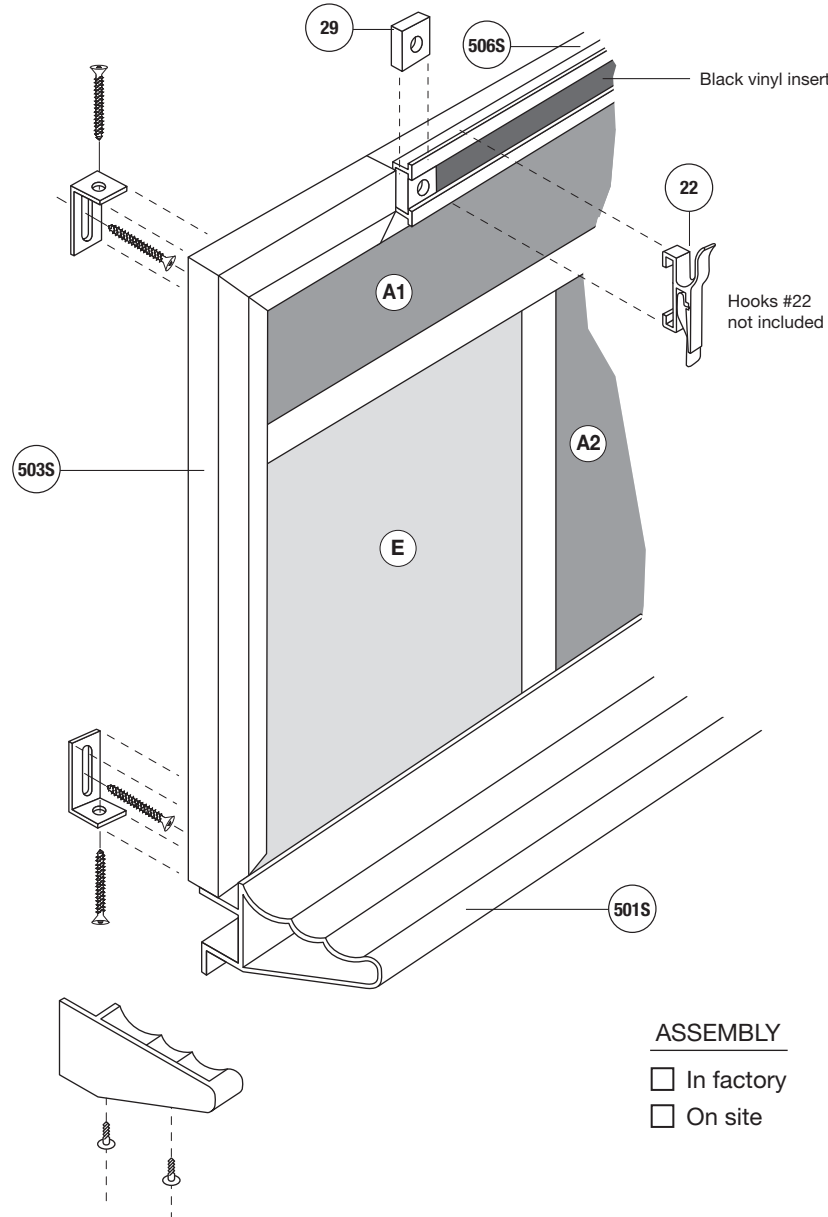
Contractor:

Architect:

Project:

Address:

DATE : _____ PAGE _____ OF _____



ASSEMBLY

- In factory
- On site