

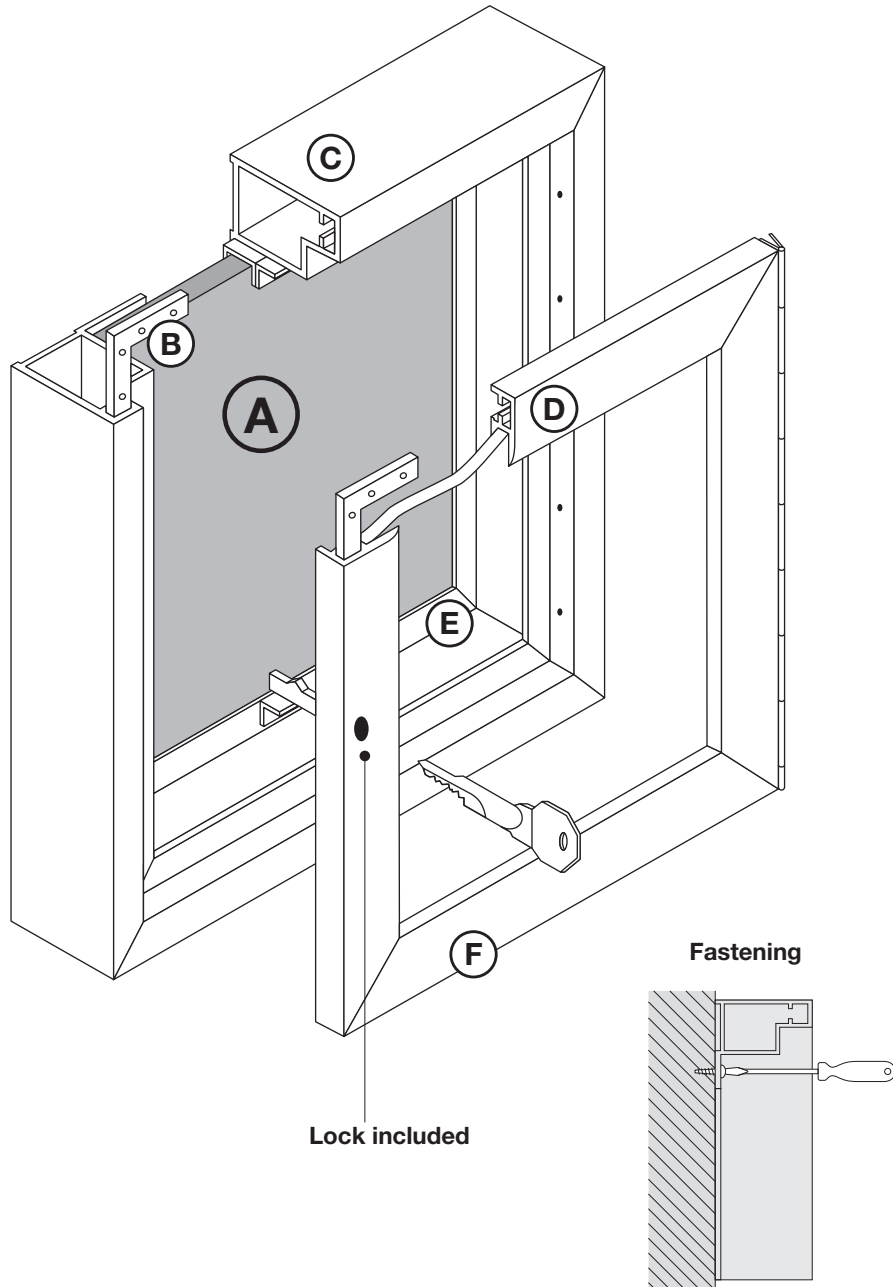


**CANADIAN BLACKBOARD
COMPANY LTD**

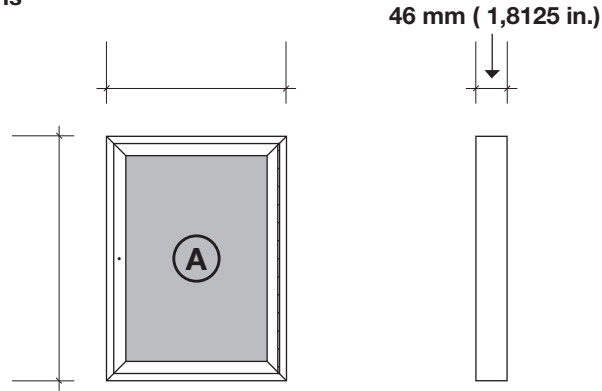
30, Montée des Bouleaux
St-Constant (Québec) J5A 1B6
Phone: (450) 632-1660
Fax: (450) 632-5449

www.cctn.com

SERIES: 640



Dimensions

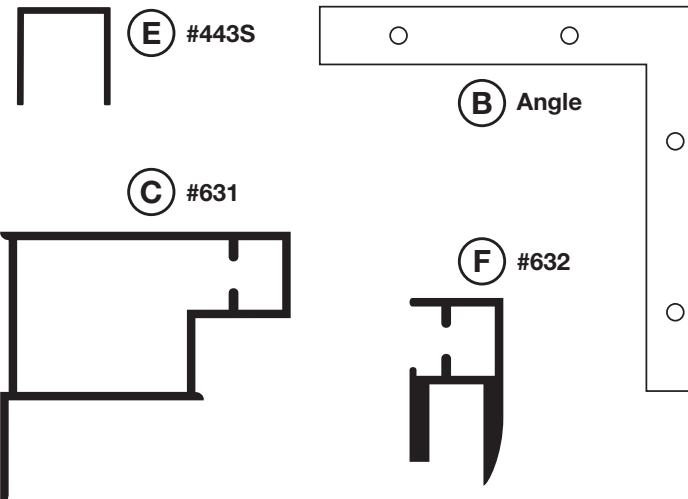


Standard dimensions

- | | |
|--|--|
| <input type="checkbox"/> 24 in. (H) X 18 in. (W) | <input type="checkbox"/> 48 in. (H) X 48 in. (W) |
| <input type="checkbox"/> 36 in. (H) X 24 in. (W) | <input type="checkbox"/> Other: _____ |
| <input type="checkbox"/> 36 in. (H) X 36 in. (W) | Height: _____ |
| <input type="checkbox"/> 48 in. (H) X 36 in. (W) | Width: _____ |

Moulding

All mouldings are in natural anodized aluminum



640 (Display Showcase)

QUANTITY: _____

DATE: _____

Surfaces

- (A) Natural cork
 Colored cork: _____
 Fabric
 Velcro
 Other: _____

Exterior finish

- Natural anodized
 Black anodized
 Massive oak
 Other: _____

Location: _____

Notes: _____

Contractor: _____

Architect: _____

Project: _____

Address: _____